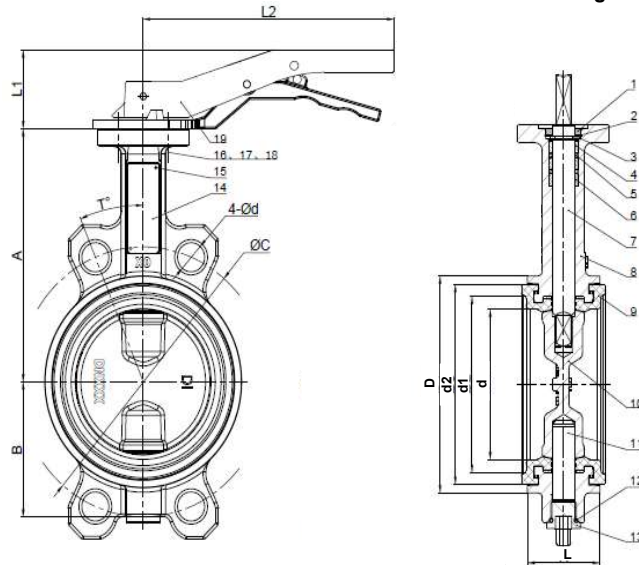


# KITAZAWA

## PN16 Ductile Iron Wafer Type Butterfly Valve

Fig: FF16WU-L



### MATERIALS

NO	NAME OF PARTS	QTY	MATERIALS
1	DUST SEAL	1	NBR
2	SNAP RING	1	65Mn
3	U-RING	1S	STAINLESS STEEL
4	BEARING	1	COOPER ALLOY
5	O-RING	2	NBR
6	BEARING	1	GLASS FIBER+F4
7	STEM	1	STAINLESS STEEL
8	BODY	1	DUCTILE IRON +EPOXY COATING
9	SEAT RUBBER	1	EPDM
10	DISC	1	DUCTILE IRON +EPOXY COATING
11	BOTTOM STEM	1	STAINLESS STEEL
12	O-RING	1	NBR
13	PLUG	1	CARBON STEEL+Cr PLATING
14	NAMEPLATE	1	ALUMINUM
15	RIVET	2	ALUMINUM
16	SET BOLT	1S	STAINLESS STEEL
17	NUT	1S	STAINLESS STEEL
18	WASHER	1	STAINLESS STEEL
19	HANDLE	1	ALUMINUM

### SPECIFICATION

- Ductile Iron Body
- Design According to BS EN 593
- Face to Face Dimension  
Conforms to BS EN 558 20 series
- Flange Conforms to  
BS EN 1092-2 PN16
- Top flange: ISO 5211
- Nominal Pressure: 1.6 MPa
- Working Temperature:  
-10~100°C
- Suitable Medium: Water



- DO NOT USE FOR STEAM
- DO NOT USE UNDER FREEZE
- DO NOT USE FOR FLAMMABLE
- DO NOT USE FOR POISONOUS  
GAS APPLICATION
- WARRANTY ONLY APPLIES IN  
ASEAN

SIZE	DIMENSIONS(mm)										
DN	d	d1	d2	A	B	L1	L	C	4-Ød	D	L2
40	40	53	67	135	52	53	33	110	19	75	180
50	50	62	76	140	60	53	43	125	19	89	180
65	67	82	96	150	70	53	46	145	19	107	180
80	80	101	115	156	86	53	46	160	19	123	180
100	98	116	130	169	90	53	52	180	19	141	180
125	125	145	159	190	105	53	56	210	19	170	220
150	148	170	185	200	120	53	56	240	23	196	220



Produced by KITZ VALVE & ACTUATION VIETNAM CO., LTD.

<https://kitz-kvv.com>

\* All or part of the information listed on this sheet may be changed or removed without prior notice.