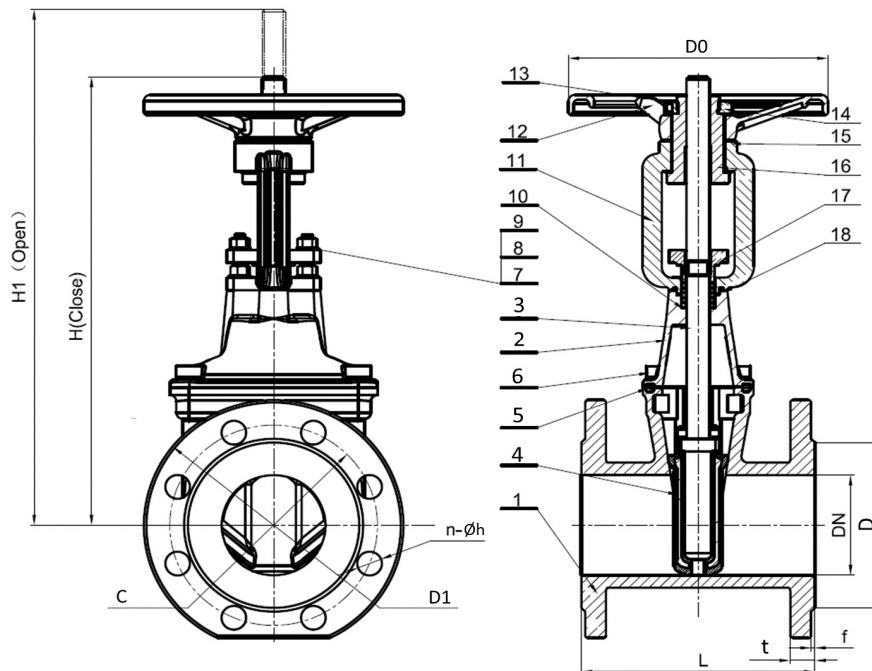


KITAZAWA

PN16 Ductile Iron Rising Stem Soft Seated Gate Valve

Fig: FG16FS



MATERIALS

NO	NAME OF PARTS	QTY	MATERIALS
1	BODY	1	DUCTILE IRON
2	BONNET	1	DUCTILE IRON
3	STEM	1	STAINLESS STEEL
4	DISC	1	DUCTILE IRON+EPDM
5	GASKET	1	EPDM
6	BONNET BOLT	1 S	CARBON STEEL+ZINC
7	GLAND BOLT	2	STAINLESS STEEL
8	GLAND NUT	2	STAINLESS STEEL
9	WASHER	1S	STAINLESS STEEL
10	GLAND PACKING	1S	PTFE
11	YOKE	1	DUCTILE IRON
12	HANDLE WHEEL	1	DUCTILE IRON
13	SCREW	1	STAINLESS STEEL
14	HANDWHEEL NUT	1	CARBON STEEL
15	PAD	1	STAINLESS STEEL
16	STEM NUT	1	ALUMINUM BRONZE
17	PACKING GLAND	1	DUCTILE IRON
18	O RING	1	EPDM

SPECIFICATION

- Ductile Iron Body
- Design According to EN1171
- Face to Face Dimension Conforms to Series 14 of EN 558
- Flange Conforms to EN1092-2
- Nominal Pressure: 1.6MPa
- Working Temperature: 0~100°C
- Suitable Medium: Water



- DO NOT USE FOR STEAM
- DO NOT USE UNDER FREEZE
- DO NOT USE FOR FLAMMABLE
- DO NOT USE FOR POISONOUS GAS APPLICATION
- WARRANTY ONLY APPLIES IN ASEAN

SIZE	DIMENSIONS(mm)									
	L	D1	C	D	t	f	n-øh	D0	H	H1
DN 50	150	165	125	99	19	3	4-19	160	290	345
65	170	185	145	118	19	3	4-19	200	325	395
80	180	200	160	132	19	3	8-19	200	365	450
100	190	220	180	156	19	3	8-19	200	405	505
125	200	250	210	184	19	3	8-19	240	500	630
150	210	285	240	211	19	3	8-23	240	555	700
200	230	340	295	266	20	3	12-23	280	715	920
250	250	405	355	319	22	3	12-28	320	860	1120
300	270	460	410	370	24.5	4	12-28	320	980	1290
350	290	520	470	429	26.5	4	16-28	500	1210	1570
400	310	580	525	480	28	4	16-31	500	1320	1730
450	330	640	585	548	30	4	20-31	500	1470	1920
500	350	715	650	609	31.5	4	20-34	600	1590	2098
600	390	840	770	720	36	5	20-37	600	1870	2480



Produced by KITZ VALVE & ACTUATION VIETNAM CO., LTD.

<https://kitz-kvv.com>

* All or part of the information listed on this sheet may be changed or removed without prior notice.