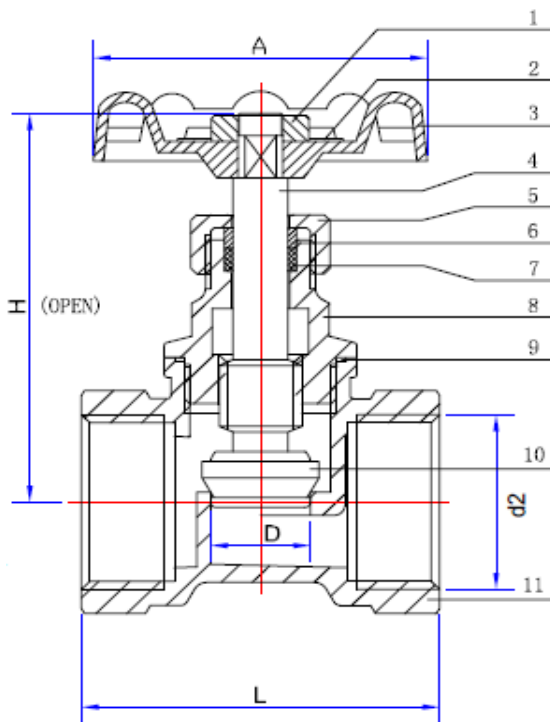


KITAZAWA

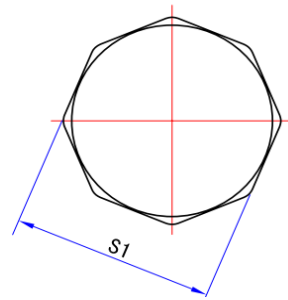
PN16 Brass Globe Valve

Fig: CL16B (BSPT)
CL16N (NPT)



SPECIFICATION

- Brass Body
- BSPT or NPT Threaded End
- Nominal Pressure : 1.6MPa
- Working Temperature : -5~120°C
- Suitable Medium: Water and Oil



MATERIALS

NO	NAME OF PARTS	QTY	MATERIALS
1	WHEEL NUT	1	STAINLESS STEEL
2	NAME PLATE	1	ALUMINUM
3	HAND WHEEL	1	ADC
4	STEM	1	BRASS
5	PACKING NUT	1	BRASS
6	GLAND	1	BRASS
7	GLAND PACKING	1	PTFE
8	BONNET	1	BRASS
9	GASKET	1	PTFE
10	DISC	1	BRASS
11	BODY	1	BRASS



- DO NOT USE FOR STEAM
- DO NOT USE UNDER FREEZE
- DO NOT FOR UNDERGROUND APPLICATION
- DO NOT USE FOR FLAMMABLE
- DO NOT USE FOR POISONOUS GAS APPLICATION
- WARRANTY ONLY APPLIES IN ASEAN

SIZE	d2	DIMENSIONS (mm)				
		D	H	A	L	S1
DN 15	1/2 BSPT or NPT	11.5	71	63	48	25.5
20	3/4	14.5	77	63	52	32
25	1	19	88	63	64	38.5
32	1.1/4	25	102	70	74	47.5
40	1.1/2	31	110	80	80	54
50	2	38	130	90	100	66



Produced by KITZ VALVE & ACTUATION VIETNAM CO., LTD.

<https://kitz-kvv.com>

* All or part of the information listed on this sheet may be changed or removed without prior notice.