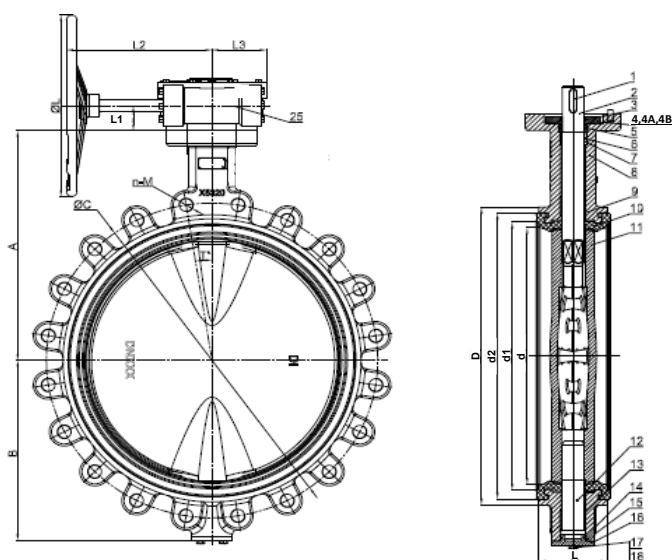


KITAZAWA

ANSI150 Ductile Iron Lug Type Butterfly Valve

Fig: FF150LU-G



| NO | NAME OF PARTS | QTY | MATERIALS |
|----|---------------|-----|---|
| 2 | STEM | 1 | STAINLESS STEEL |
| 3 | O-RING | 1 | NBR |
| 4 | GLAND | 1 | DUCTILE IRON (DN350~600) |
| 4A | SNAP RING | 1 | 65Mn (DN40~300) |
| 4B | U-RING | 1S | STAINLESS STEEL (DN40~300) |
| 5 | O-RING | 1 | NBR |
| 6 | O-RING | 1 | NBR |
| 7 | BEARING | 1 | COOPER ALLOY (DN350~600) GLASS FIBER+F4 (DN40~300) |
| 8 | BODY | 1 | DUCTILE IRON |
| 9 | BEARING | 1 | COOPER ALLOY |
| 10 | SEAT RUBBER | 1 | EPDM |
| 11 | DISC | 1 | DUCTILE IRON |
| 12 | BOTTOM STEM | 1 | STAINLESS STEEL |
| 13 | BEARING | 1 | COOPER ALLOY |
| 14 | O-RING | 1 | NBR |
| 15 | O-RING | 1 | NBR |
| 16 | PLUG | 1 | DUCTILE IRON (DN350~600) CARBON STEEL+Ni (DN250~300) CARBON STEEL+Cr (DN40~200) |
| 17 | BOLT | 1S | STAINLESS STEEL |
| 18 | WASHER | 1S | STAINLESS STEEL |
| 21 | NAMEPLATE | 1 | ALUMINUM |
| 22 | RIVET | 2 | ALUMINUM |
| 23 | SET BOLT | 1S | STAINLESS STEEL |
| 24 | WASHER | 1S | STAINLESS STEEL |
| 25 | GEAR UNIT | 1 | CAST IRON |

SPECIFICATION

Ductile Iron Body
 Design According to BS EN 593
 Face to Face Dimension
 Conforms to BS EN 558 20 series
 Flange Conforms to
 ASME B16.5 CLASS 150
 Top flange: ISO 5211
 Nominal Pressure: 1.72MPa
 Working Temperature:
 -10~100°C
 Suitable Medium: Water

⚠

- DO NOT USE FOR STEAM
- DO NOT USE UNDER FREEZE
- DO NOT USE FOR FLAMMABLE
- DO NOT USE FOR POISONOUS GAS APPLICATION
- WARRANTY ONLY APPLIES IN ASEAN

| SIZE | DIMENSIONS(mm) | | | | | | | | | | | | |
|------|----------------|-----|-----|-----|-----|----|-----|-------|-----------------|-----|-----|-----|-----|
| DN | d | d1 | d2 | A | B | L1 | L | C | n-M | D | øL | L2 | L3 |
| 40 | 40 | 53 | 67 | 135 | 52 | 37 | 33 | 98.4 | 4-(1/2-13UNC) | 75 | 120 | 150 | 54 |
| 50 | 50 | 62 | 76 | 140 | 60 | 37 | 43 | 120.7 | 4-(5/8-11UNC) | 89 | 120 | 150 | 54 |
| 65 | 67 | 82 | 96 | 150 | 70 | 37 | 46 | 139.7 | 4-(5/8-11UNC) | 107 | 120 | 150 | 54 |
| 80 | 80 | 101 | 115 | 156 | 86 | 37 | 46 | 152.4 | 4-(5/8-11UNC) | 123 | 120 | 150 | 54 |
| 100 | 98 | 116 | 130 | 169 | 90 | 37 | 52 | 190.5 | 8-(5/8-11UNC) | 141 | 120 | 150 | 54 |
| 125 | 125 | 145 | 159 | 190 | 105 | 37 | 56 | 215.9 | 8-(3/4-10UNC) | 170 | 120 | 150 | 54 |
| 150 | 148 | 170 | 185 | 200 | 120 | 37 | 56 | 241.3 | 8-(3/4-10UNC) | 196 | 120 | 150 | 54 |
| 200 | 198 | 222 | 241 | 224 | 158 | 37 | 60 | 298.5 | 8-(3/4-10UNC) | 251 | 200 | 216 | 63 |
| 250 | 249 | 277 | 297 | 265 | 197 | 37 | 68 | 362.0 | 12-(7/8-9UNC) | 308 | 200 | 216 | 63 |
| 300 | 300 | 328 | 348 | 303 | 230 | 37 | 78 | 431.8 | 12-(7/8-9UNC) | 358 | 200 | 216 | 63 |
| 350 | 335 | 362 | 398 | 364 | 276 | 42 | 78 | 476.3 | 12-(1-8UNC) | 412 | 295 | 260 | 75 |
| 400 | 390 | 434 | 454 | 413 | 312 | 63 | 102 | 539.8 | 16-(1-8UNC) | 470 | 385 | 290 | 128 |
| 450 | 443 | 470 | 493 | 422 | 336 | 62 | 114 | 577.9 | 16-(1.1/8-8UNC) | 520 | 450 | 343 | 128 |
| 500 | 495 | 520 | 548 | 480 | 366 | 62 | 127 | 635.0 | 20-(1.1/8-8UNC) | 565 | 450 | 343 | 128 |
| 600 | 598 | 637 | 665 | 562 | 440 | 62 | 154 | 749.3 | 20-(1.1/4-8UNC) | 685 | 450 | 343 | 128 |



Produced by KITZ VALVE & ACTUATION VIETNAM CO., LTD.
<https://kitz-kvv.com>

* All or part of the information listed on this sheet may be changed or removed without prior notice.