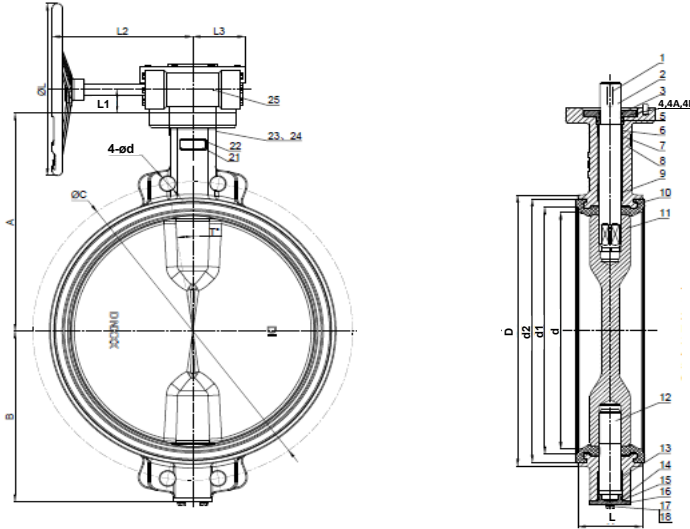


KITAZAWA

PN16 Ductile Iron Butterfly Valve

Fig: FF16WU-G



MATERIALS

NO	NAME OF PARTS	QTY	MATERIALS
2	STEM	1	STAINLESS STEEL
3	O-RING	1	NBR
4	GLAND	1	DUCTILE IRON (DN350~600)
4A	SNAP RING	1	65Mn (DN40~300)
4B	U-RING	1S	STAINLESS STEEL (DN40~300)
5	O-RING	1	NBR
6	O-RING	1	NBR
7	BEARING	1	COOPER ALLOY (DN350~600) GLASS FIBER+F4 (DN40~300)
8	BODY	1	DUCTILE IRON
9	BEARING	1	COOPER ALLOY
10	SEAT RUBBER	1	EPDM
11	DISC	1	DUCTILE IRON
12	BOTTOM STEM	1	STAINLESS STEEL
13	BEARING	1	COOPER ALLOY
14	O-RING	1	NBR
15	O-RING	1	NBR
16	PLUG	1	DUCTILE IRON (DN350~600) CARBON STEEL+Ni (DN250~300) CARBON STEEL+Cr (DN40~200)
17	BOLT	1S	STAINLESS STEEL
18	WASHER	1S	STAINLESS STEEL
21	NAMEPLATE	1	ALUMINUM
22	RIVET	2	ALUMINUM
23	SET BOLT	1S	STAINLESS STEEL
24	WASHER	1S	STAINLESS STEEL
25	GEAR UNIT	1	CAST IRON

SPECIFICATION

- Ductile Iron Body
- Design According to BS EN 593
- Face to Face Dimension
Conforms to BS EN 558 20 series
- Flange Conforms to
BS EN 1092-2 PN16
- Top flange: ISO 5211
- Nominal Pressure: 1.6 MPa
- Working Temperature:
-10~100°C
- Suitable Medium: Water



- DO NOT USE FOR STEAM
- DO NOT USE UNDER FREEZE
- DO NOT USE FOR FLAMMABLE
- DO NOT USE FOR POISONOUS GAS APPLICATION
- WARRANTY ONLY APPLIES IN ASEAN

SIZE	DIMENSIONS(mm)												
	DN	d	d1	d2	A	B	L1	L	C	4-ød	D	øL	L2
40	40	53	67	135	52	37	33	110	19	75	120	150	54
50	50	62	76	140	60	37	43	125	19	89	120	150	54
65	67	82	96	150	70	37	46	145	19	107	120	150	54
80	80	101	115	156	86	37	46	160	19	123	120	150	54
100	98	116	130	169	90	37	52	180	19	141	120	150	54
125	125	145	159	190	105	37	56	210	19	170	120	150	54
150	148	170	185	200	120	37	56	240	23	196	120	150	54
200	198	222	241	224	158	37	60	295	23	251	200	216	63
250	249	277	297	265	197	37	68	355	28	308	200	216	63
300	300	328	348	303	230	37	78	410	28	358	200	216	63
350	335	362	398	364	276	42	78	470	28	412	295	260	75
400	390	434	454	413	312	63	102	525	31	470	385	290	128
450	443	470	493	422	336	62	114	585	31	520	450	343	128
500	495	520	548	480	366	62	127	650	34	565	450	343	128
600	598	637	665	562	440	62	154	770	37	685	450	343	128



Produced by KITZ VALVE & ACTUATION VIETNAM CO., LTD.

<https://kitz-kvv.com>

* All or part of the information listed on this sheet may be changed or removed without prior notice.