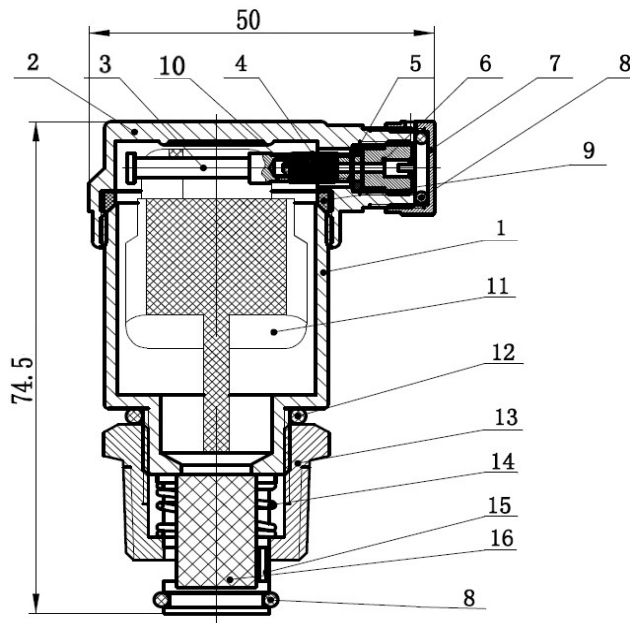


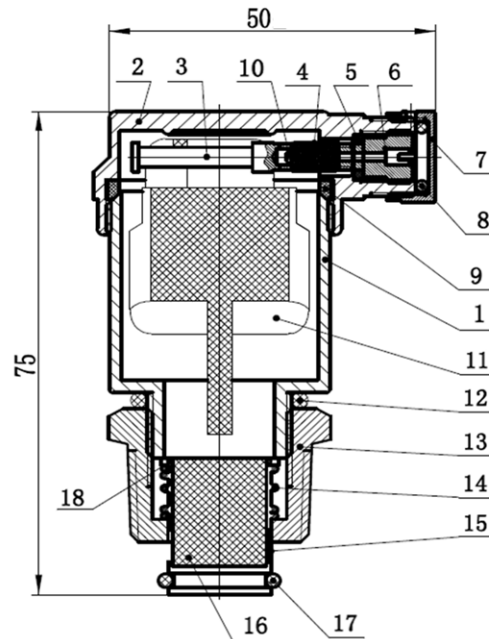
# KITAZAWA

## PN16 Brass Air Vent

Fig: CV16B



SIZE 1/2"



SIZE 3/4"-1"

### MATERIALS

NO	NAME OF PARTS	QTY	MATERIALS
1	BODY	1	BRASS
2	CAP	1	BRASS
3	STEM	1	BRASS
4	SPRING	1	STAINLESS STEEL
5	O-RING	1	EPDM
6	SPOOL STEM	1	BRASS
7	COVER	1	BRASS
8	O-RING	1	EPDM (1/2": QTY 2)
9	GASKET	1	EPDM
10	PLUG	1	RUBBER
11	FLOAT	1	POLYPROPYLENE
12	O-RING	1	EPDM
13	CONNECTOR	1	BRASS
14	SPRING	1	STAINLESS STEEL
15	HEAD	1	BRASS
16	FILTER	1	STAINLESS STEEL
17	O-RING(3/4"-1" ONLY)	1	EPDM
18	SPRING(3/4"-1" ONLY)	1	STAINLESS STEEL

### SPECIFICATION

- Brass Body (1/2"-1")
- ISO7-R Thread Connection
- Nominal Pressure : 1.6MPa
- Working Temperature : 0~110°C
- Suitable Medium: Water



- DO NOT USE FOR STEAM
- DO NOT USE UNDER FREEZE
- DO NOT USE FOR FLAMMABLE
- DO NOT USE FOR POISONOUS GAS APPLICATION
- WARRANTY ONLY APPLIES IN ASEAN



Produced by KITZ VALVE & ACTUATION VIETNAM CO., LTD.

<https://kitz-kvv.com>

\* All or part of the information listed on this sheet may be changed or removed without prior notice.