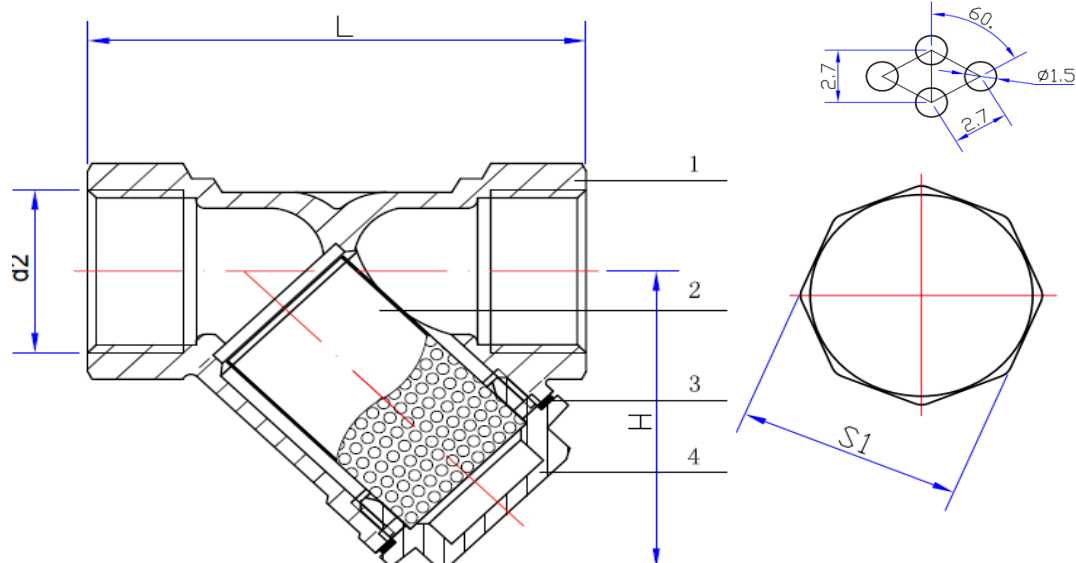


KITAZAWA

PN16 Brass Y-Type Strainer

Fig: CY16B (BSPT)
CY16N (NPT)



SPECIFICATION

- Brass Body
- BSPT or NPT Threaded End
- Nominal Pressure : 1.6MPa
- Working Temperature : -5~120°C
- Suitable Medium: Water and Oil



- DO NOT USE FOR STEAM
- DO NOT USE UNDER FREEZE
- DO NOT FOR UNDERGROUND APPLICATION
- DO NOT USE FOR FLAMMABLE
- DO NOT USE FOR POISONOUS GAS APPLICATION
- WARRANTY ONLY APPLIES IN ASEAN

MATERIALS

NO	NAME OF PARTS	QTY	MATERIALS
1	BODY	1	BRASS
2	SCREEN	1	STAINLESS STEEL
3	GASKET	1	PTFE
4	CAP	1	BRASS

SIZE	d2	DIMENSIONS (mm)		
		H	L	S1
DN	BSPT or NPT			
15	1/2	41	56	26
20	3/4	48	69	32
25	1	58	82	38.5
32	1.1/4	66	90	47.5
40	1.1/2	74	101	54
50	2	92	123	66



Produced by KITZ VALVE & ACTUATION VIETNAM CO., LTD.

<https://kitz-kvv.com>

* All or part of the information listed on this sheet may be changed or removed without prior notice.