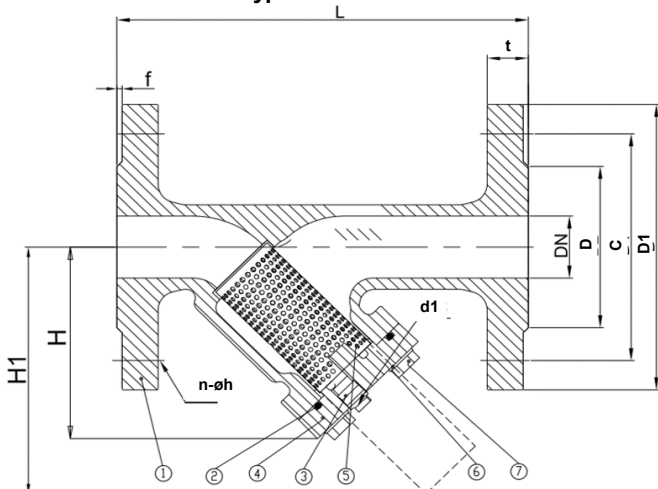


KITAZAWA

PN16 Ductile Iron Y-Type Strainer

Fig: FY16F



SPECIFICATION

- Ductile Iron Body
- Face to Face Dimension Conforms to DIN3202 F1
- Flange Conforms to BS EN1092-2 PN16
- Nominal Pressure: 1.6 MPa
- Working Temperature: -10~100°C
- Suitable Medium: Water

MATERIALS

NO	NAME OF PARTS	QTY	MATERIALS
1	BODY	1	DUCTILE IRON
2	GASKET	1	EPDM
3	PLUG	1	STAINLESS STEEL
4	COVER	1	DUCTILE IRON
5	SCREEN	1	STAINLESS STEEL
6	WASHER	1S	STAINLESS STEEL
7	COVER BOLT	1S	STAINLESS STEEL



- DO NOT USE FOR STEAM
- DO NOT USE UNDER FREEZE
- DO NOT USE FOR FLAMMABLE
- DO NOT USE FOR POISONOUS GAS APPLICATION
- WARRANTY ONLY APPLIES IN ASEAN

SIZE	d1	Dimensions(mm)								
		DN	BSPT	D1	C	D	t	f	n-øh	L
15	-	95	65	46	14	2	4-14	130	64	86
20	-	105	75	56	16	2	4-14	150	69	95
25	-	115	86	65	16	3	4-14	160	79	110
32	-	140	100	76	18	3	4-19	180	91	128
40	-	150	110	84	18	3	4-19	200	111	155
50	Rc3/8	165	125	99	20	3	4-19	230	138	181
65	Rc1/2	185	145	118	20	3	4-19	290	165	226
80	Rc1/2	200	160	132	22	3	8-19	310	190	265
100	Rc1/2	220	180	156	24	3	8-19	350	223	295
125	Rc3/4	250	210	184	26	3	8-19	400	262	358
150	Rc3/4	285	240	211	26	3	8-23	480	307	430
200	Rc3/4	340	295	266	30	3	12-23	600	378	559
250	Rc1	405	355	319	32	3	12-28	730	439	657
300	Rc1	460	410	370	32	4	12-28	850	511	768
350	Rc2	520	470	429	26.5	4	16-28	980	606	891
400	Rc2	580	525	480	28	4	16-31	1100	693	1010
450	Rc2	640	585	548	30	4	20-31	1200	757	1114
500	Rc2	715	650	609	32	4	20-34	1250	874	1296
600	Rc2	840	770	720	36	5	20-37	1450	1028	1531



Produced by KITZ VALVE & ACTUATION VIETNAM CO., LTD.

<https://kitz-kvv.com>

* All or part of the information listed on this sheet may be changed or removed without prior notice.