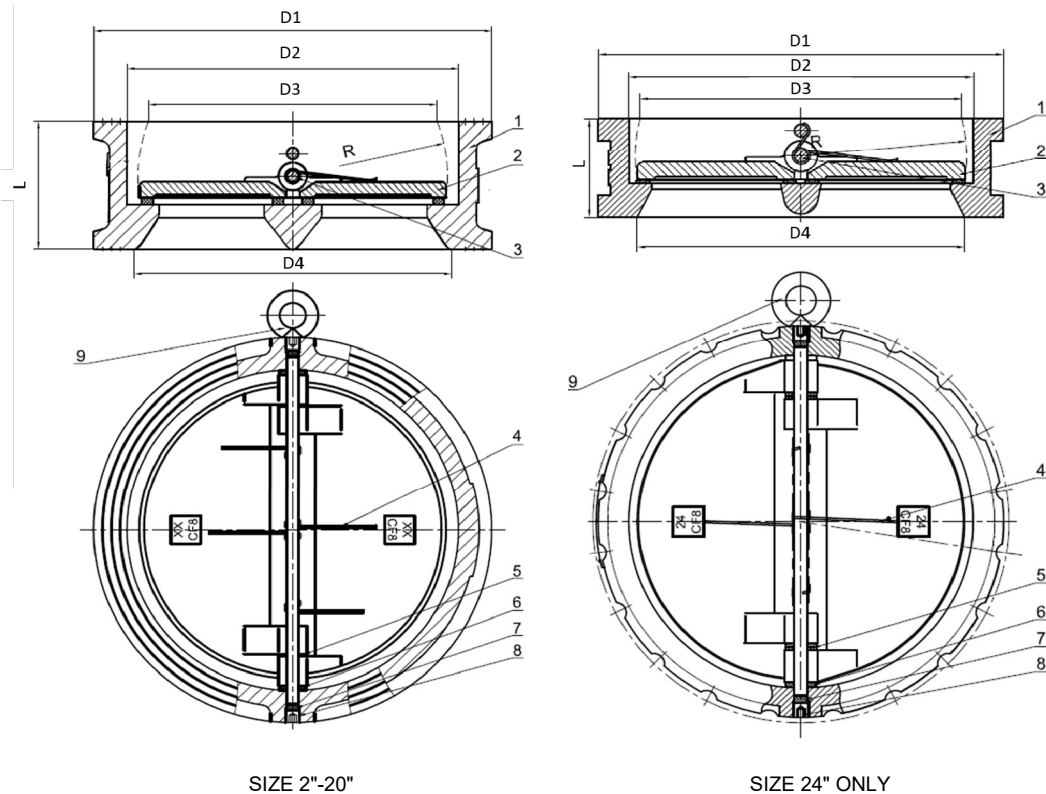


KITAZAWA

PN16 Cast / Ductile Iron Dual Plate Wafer Check Valve

Fig: FD16WU



MATERIALS

NO	NAME OF PARTS	QTY	MATERIALS
1	BODY	1	CAST IRON (2"-20") DUCTILE IRON (24" ONLY)
2	DISC	2	STAINLESS STEEL
3	STEM	1	STAINLESS STEEL
4	SPRING	1S	STAINLESS STEEL
5	PLATE WASHER	1	PTFE
6	BODY WASHER	1	PTFE
7	SEAL RING	1	EPDM
8	PLUG	1	STAINLESS STEEL
9	EYE BOLT	1	CARBON STEEL

SIZE 24" ONLY

SPECIFICATION

- Cast Iron Body (2"-20")
Ductile Iron Body (24" Only)
- Design According to EN12334
- Face to Face Dimension Conforms to 16 Series of EN 558
- Flange Conforms to EN1092-2 PN10/16
- Nominal Pressure: 1.6MPa
- Working Temperature: -10~100°C
- Suitable Medium: Water

SIZE	DIMENSIONS(mm)					
DN	L	D1	D2	D3	D4	R
50	43	107	66	41.1	58	28.8
65	46	126	80.7	64.6	74	36.1
80	64	141	95	62.6	84	43.4
100	64	161	117.8	84.2	109	52.8
125	70	191	145.6	119.8	139	65.7
150	76	217	170.5	141	162	78.6
200	89	272	224.8	201.5	211	104.4
250	114	327	266	229	255	127
300	114	377	310.8	279	296	148.3
350	127	437	360	333	350	172.5
400	140	487	410	383	400	198.5
450	152	537	450	420.6	440	218
500	152	592	505	475.5	480	245
600	178	700	624	589	600	303



- DO NOT USE FOR STEAM
- DO NOT USE UNDER FREEZE
- DO NOT USE FOR FLAMMABLE
- DO NOT USE FOR POISONOUS GAS APPLICATION
- WARRANTY ONLY APPLIES IN ASEAN



Produced by KITZ VALVE & ACTUATION VIETNAM CO., LTD.

<https://kitz-kvv.com>

* All or part of the information listed on this sheet may be changed or removed without prior notice.